

Mission P/N 453; UL Cat. No. 4-06-6607

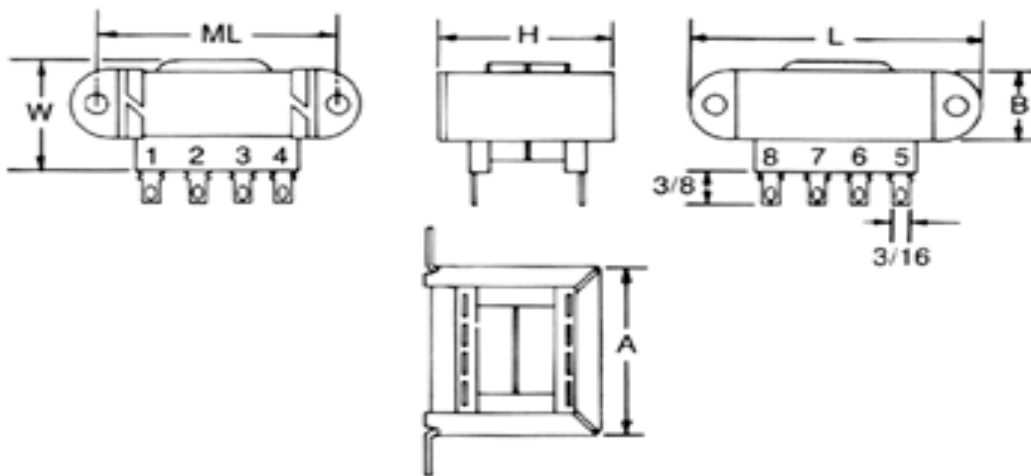
Size 6, VA Size 20VA, Primary Voltage 120VAC, Secondary 12.6 VAC

TRANSFORMER DIMENSIONS

L = length; 3 1/4" W = Width; 1 11/16" H = Height; 1 15/16"

Other Dimensions

A = 2 5/16 B = 1 1/16 ML = 2 13/16 Lbs. 1.1



NOTE: *The UL transformer from Mission will have flying leads already attached...*

Black pair - Primary 120VAC input

Red pair - Secondary 12VAC output that goes to the Mission RTU 12 VAC input.

