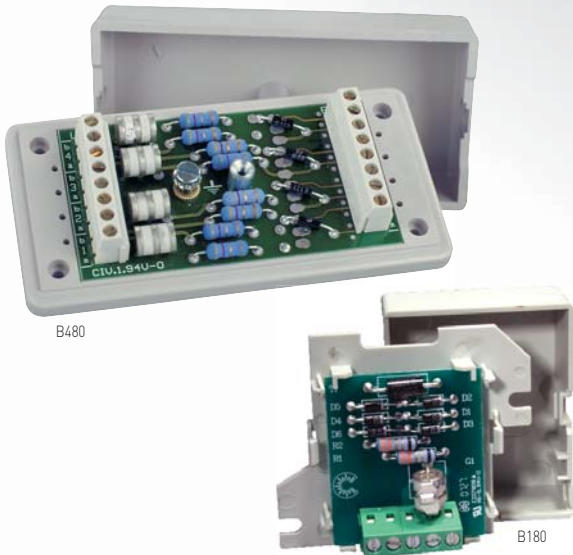
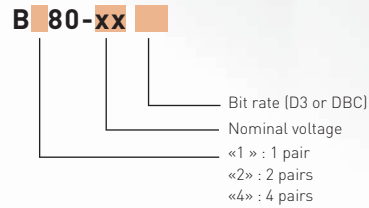


Datasheet

1,2 and 4-pair Surge Protectors B180, B280, B480 series

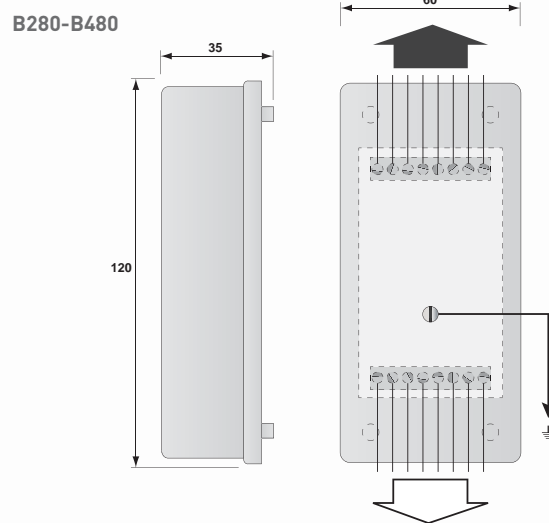
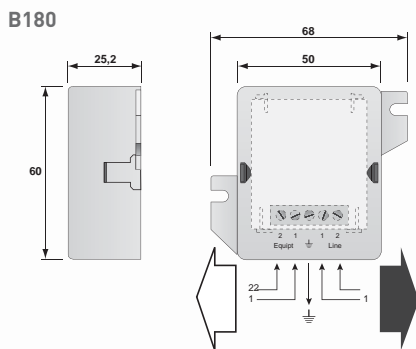


- 1 to 4-pair surge protection units
- All types of telephone and data lines
- Removable protection circuit
- Wall mounting and screw connection

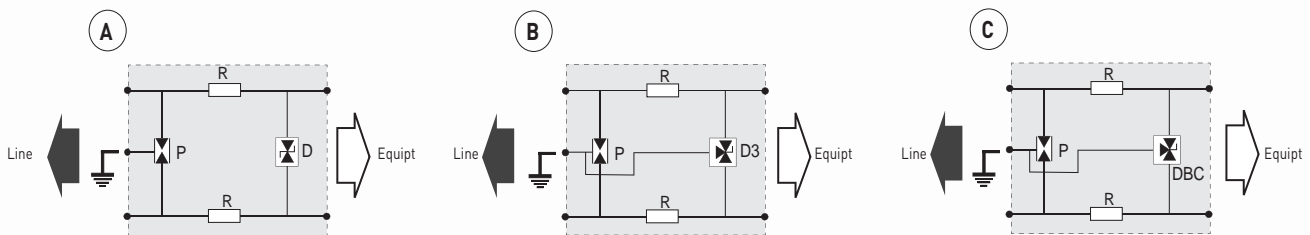


Dimensions - Electrical Diagrams

(in mm)



1-pair version



P : 3-electrode gas tube
R : Resistor
D : Clamping diode
D3 : 3-pole clamping diode
DBC : 3-pole low capacitance diode



CITEL

CITEL • 2 rue Troyon • 92316 Sèvres Cedex • France • Tel.: +33 1 41 23 50 23 • Fax: +33 1 41 23 50 09 • e-mail: contact@citel2cp.com • www.citel2cp.com
F050411B • Document could be modified without notice

1,2 and 4-pair Surge Protectors B180, B280, B480 series

Characteristics

Configuration	CITEL part number					
	B180-T B280-T B480-T	- B280-48D3 B480-48D3	B180-24D3 B280-24D3 B480-24D3	B180-12D3 B280-12D3 B480-12D3	B180-06D3 B280-06D3 B480-06D3	- B280-06DBC B480-06DBC
Application	Telephone line ADSL SDSL - HSDSL	ISDN-T0 48 V line	Leased line 4-20 mA	RS232 RS485	RS422	T2 - T1 10BaseT
Configuration protected - B180... - B280... - B480...	1 pair 2 pairs 4 pairs	- 1 channel 2 channels	LS 2 wires / 1 pair LS 4 wires / 2 pairs 2 LS 4 wires/2x2pairs	2 wires 4 wires 8 wires	1 pair 2 pairs 4 pairs/ 2x2 pairs	- 1 channel 2 channels
Nominal line voltage (Un)	150 V	48 V	24 V	12 V	6 V	6 V
Maximum line voltage (Uc)	170 V	53 V	28 V	15 V	8 V	8 V
Max. line current (IL)	300 mA	300 mA	300 mA	300 mA	300 mA	300 mA
Max. frequency	> 10 MHz	> 3 MHz	> 3 MHz	> 3 MHz	> 3 MHz	> 20 MHz
Protection level (Up) 8/20µs impulse - 5 kA	220 V	70 V	40 V	30 V	20 V	25 V
Nominal discharge current (In) 8/20µs impulse - 10 times	5 kA	5 kA	5 kA	5 kA	5 kA	5 kA
Max. discharge current (Imax) 8/20µs impulse - 1 time	20 kA	20 kA	20 kA	20 kA	20 kA	20 kA
Lightning current (Iimp) 10/350µs impulse - 2 times	5 kA	5 kA	5 kA	5 kA	5 kA	5 kA
Type of diagram	A	B	B	B	B	C
End of life	Short-circuit	Short-circuit	Short-circuit	Short-circuit	Short-circuit	Short-circuit
Mechanical characteristics						
Mounting	wall (screws non included)					
Dimensions	see diagrams					
Wiring	screw terminal - mini/maxi cross section : 0.4/1.5 mm ²					
Housing material	Thermoplastic UL94-V0					
Spare circuit	B180-xx = S180-xx / B280-xx = S280-xx / B480-xx = S480-xxx					
Standard compliance						
NF EN 61643-21 (France) UL497A (USA)	Parafoudre pour réseau de communication - Test catégories C2 et D1 Surge protectors for communication circuits					
Part Number						
1-pair unit B180	510602	-	510302	510202	510102	-
2-pair unit B280	72726	72774	72773	72772	72771	72751
4-pair unit B480	72746	72794	72793	72792	72791	72798

