

MAGNECRAFT General Purpose Relays



CLASS 78 GENERAL PURPOSE RELAYS

Specifications:

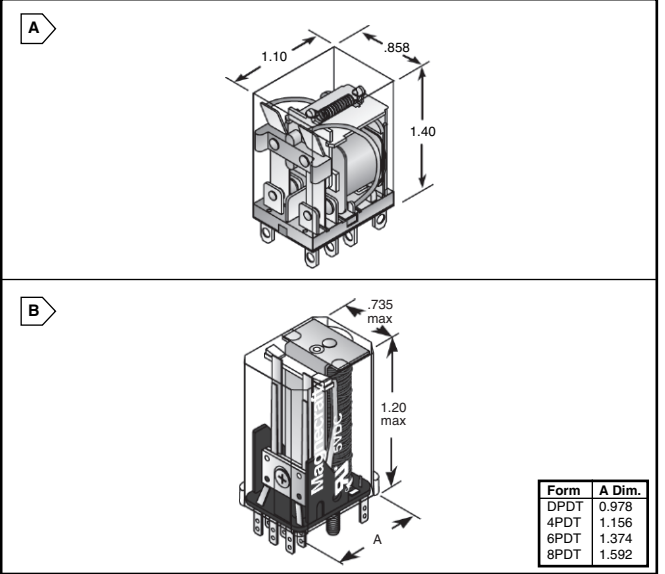
- Contact material: 3 amps bifurcated - silver gold plated
- 3 amps - silver gold flashed
- 5, 10 & 15 Amps - silver cadmium oxide, gold flashed
- Coil power: 0.9 - 1.1 watts DC, 1.0 - 1.2 VA (60Hz) AC, @ 25°C
- Class B insulation
- Dielectric strength: 1500Vrms



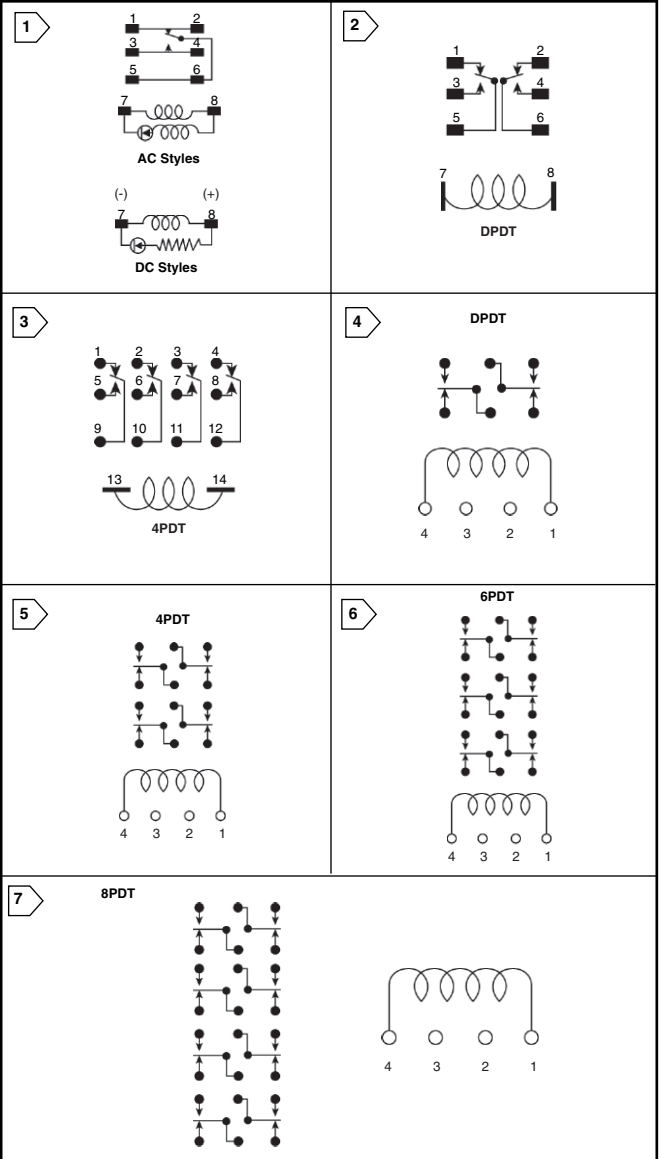
For quantities of 100 and up, call for quote.

MOUSER STOCK NO.	Magnecraft® Part No.	Fig.	Contact		Coil		Price Each			
			Form	Rating	Volts	Ohms	1	10	25	50
Solder/Plug-in Mount										
528-7880-97	W78RCSX-97	A1	SPDT	15A	12 VDC	160	5.32	4.92	4.66	4.39
528-7880-6	W78RCSX-6	A2	DPDT	10A	6 VDC	40	5.50	5.09	4.81	4.54
528-7880-7	W78RCSX-7	A2	DPDT	10A	12 VDC	160	3.96	3.66	3.47	3.27
528-7880-8	W78RCSX-8	A2	DPDT	10A	24 VDC	650	3.96	3.66	3.47	3.27
528-7810-1	W78CSX-1	A3	4PDT	3A	6 VDC	40	5.50	5.09	4.81	4.54
528-7810-2	W78CSX-2	A3	4PDT	3A	12 VDC	160	3.96	3.66	3.47	3.27
528-7810-3	W78CSX-3	A3	4PDT	3A	24 VDC	650	3.96	3.66	3.47	3.27
528-7895-13	W78RCSX-13	A3	4PDT	5A	24 VDC	650	5.50	5.09	4.81	4.54
528-7870-9	W78ARCSX-9	A2	DPDT	10A	24 VAC	180	4.26	3.94	3.73	3.51
528-7870-11	W78ARCSX-11	A2	DPDT	10A	120 VAC	4430	4.26	3.94	3.73	3.51
528-7870-12	W78ARCSX-12	A2	DPDT	10A	240 VAC	15,700	7.22	6.68	6.32	5.96
528-7840-3	W78ACSX-3	A3	4PDT	3A	24 VAC	180	5.94	5.49	5.20	4.90
528-7840-5	W78ACSX-5	A3	4PDT	3A	120 VAC	4430	5.94	5.49	5.20	4.90
528-7840-6	W78ACSX-6	A3	4PDT	3A	240 VAC	15,700	7.22	6.68	6.32	5.96
Solder/Plug-in Mount, Bifurcated										
528-7815-2	W78ATCSX-2	A3	4PDT	3A	12 VAC	46	6.78	6.27	5.93	5.59
528-7815-5	W78ATCSX-5	A3	4PDT	3A	120 VAC	4430	6.78	6.27	5.93	5.59
528-7815-6	W78ATCSX-6	A3	4PDT	3A	240 VAC	15,700	7.96	7.36	6.97	6.57
Solder/Plug-in Mount, with Indicator Lamp										
528-7850-10	W78RNC SX-10	A1	SPDT	15A	24 VDC	650	6.90	6.38	6.04	5.69
528-7885-8	W78ARNCSX-8	A1	SPDT	15A	24 VAC	180	6.94	6.42	6.07	5.73
528-7885-9	W78ARNCSX-9	A1	SPDT	15A	120 VAC	4430	6.94	6.42	6.07	5.73
Enclosed, Printed Circuit Mount										
528-7830-79	W78RPCX-79	A1	SPDT	15A	12 VDC	160	5.32	4.92	4.66	4.39
528-7830-1	W78RPCX-1	A2	DPDT	10A	6 VDC	40	5.50	5.09	4.81	4.54
528-7830-2	W78RPCX-2	A2	DPDT	10A	12 VDC	160	5.50	5.09	4.81	4.54
528-7830-3	W78RPCX-3	A2	DPDT	10A	24 VDC	650	5.50	5.09	4.81	4.54
528-7820-2	W78PCX-2	A3	4PDT	3A	12 VDC	160	3.96	3.66	3.47	3.27
528-7820-3	W78PCX-3	A3	4PDT	3A	24 VDC	650	3.96	3.66	3.47	3.27
528-7850-5	W78APCX-5	A2	DPDT	10A	120 VAC	4430	5.94	5.49	5.20	4.90
528-7835-6	W78APCX-6	A2	DPDT	10A	240 VAC	15,700	7.22	6.68	6.32	5.96
528-7825-3	W78APCX-3	A3	4PDT	3A	24 VAC	180	5.52	5.11	4.83	4.55
528-7825-5	W78APCX-5	A3	4PDT	3A	120 VAC	4430	5.52	5.11	4.83	4.55
Sockets and Hold Down Clip for Class 78 Relays										
528-3781	70-378-1	----	14 Pin Solder terminals, 4 Pole				.76	.70	.67	.63
528-3791	70-379-1	----	14 Pin PC terminals, 4 Pole				1.06	.98	.93	.87
528-401	70-401-1	----	8 Pin Solder terminals, 2 Pole				1.06	.98	.93	.87
528-402	70-402-1	----	8 Pin PC terminals, 2 Pole				1.06	.98	.93	.87
528-459	70-459-1	----	8 Pin DIN/Panel mnt. w/screw terminals				4.60	4.26	4.03	3.80
528-461	70-461-1	----	14 Pin DIN/Panel mnt. w/screw terminals				3.30	3.05	2.89	2.72
528-16-1342	16-1342	----	Hold down clip				.53	.50	.45	.41

DIMENSIONS (IN)



TERMINAL ARRANGEMENT



General Purpose Relays Magnecraft



CLASS 67 MINIATURE ENCLOSED INDUSTRIAL RELAYS

Specifications:

- Contact resistance: 50 megohms max
- Coil power: 0.5 - 1.5 watts DC, 1.5 VA - 2 VA (60 Hz) AC @ 25°C
- Contact material: silver gold overlay
- Dielectric strength: 1500Vrms



For quantities of 100 and up, call for quote.

MOUSER STOCK NO.	Magnecraft® Part No.	Fig.	Contact		Coil		Price Each			
			Form	Rating	Volts	Ohms	1	10	25	50
Solder/Plug-in Mount										
528-6710-1	W67RCSX-1	B4	DPDT	5A	5 VDC	52	10.34	9.56	9.05	8.53
528-6710-2	W67RCSX-2	B4	DPDT	5A	12 VDC	185	10.34	9.56	9.05	8.53
528-6710-3	W67RCSX-3	B4	DPDT	5A	24 VDC	700	12.20	11.29	10.68	10.07
528-6710-6	W67RCSX-6	B5	4PDT	5A	5 VDC	52	13.24	12.25	11.59	10.92
528-6710-7	W67RCSX-7	B5	4PDT	5A	12 VDC	185	14.48	13.39	12.67	11.95
528-6710-8	W67RCSX-8	B5	4PDT	5A	24 VDC	700	14.48	13.39	12.67	11.95
528-6710-12	W67RCSX-12	B6	6PDT	5A	12 VDC	90	18.68	17.40	16.60	15.70
528-6710-13	W67RCSX-13	B6	6PDT	5A	24 VDC	430	20.25	18.85	17.95	17.00
528-6710-17	W67RCSX-17	B7	8PDT	5A	12 VDC	72	56.62	52.37	49.54	46.71
528-6710-18	W67RCSX-18	B7	8PDT	5A	24 VDC	350	47.14	43.60	41.25	38.89
Sockets for Class 67 Relays										
528-303	70-303-1	----	Solder terminals, DPDT, Chassis mount				2.14	1.98	1.87	1.77
528-304	70-304-1	----	PC terminals, DPDT, Chassis mount				2.14	1.98	1.87	1.77
528-305	70-305-1	----	Solder terminals, 4PDT, Chassis mount				2.48	2.29	2.17	2.05
528-306	70-306-1	----	PC terminals, 4PDT, Chassis mount				2.48	2.29	2.17	2.05
528-307	70-307-1	----	Solder terminals, 6PDT, Chassis mount				2.30	2.13	2.01	1.90
528-308	70-308-1	----	PC terminals, 6PDT, Chassis mount				2.30	2.13	2.01	1.90
528-309	70-309-1	----	Solder terminals, 8PDT, Chassis mount				2.48	2.29	2.17	2.05
528-310	70-310-1	----	PC terminals, 8PDT, Chassis mount				2.48	2.29	2.17	2.05

