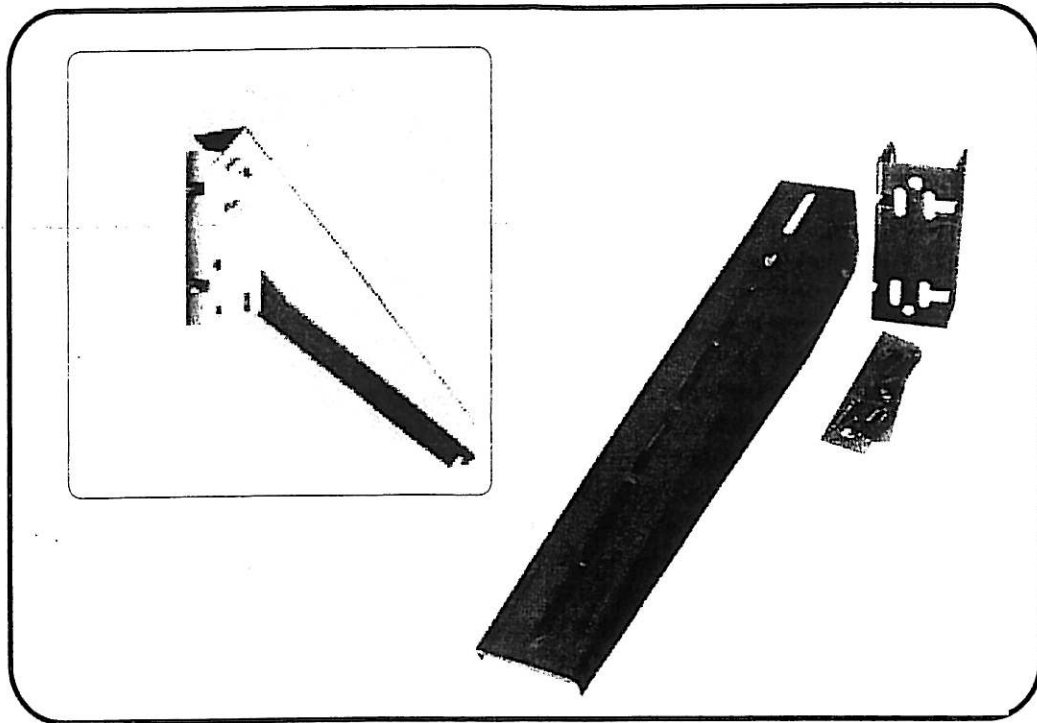


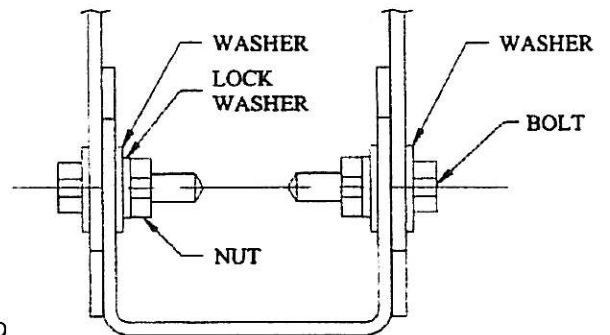
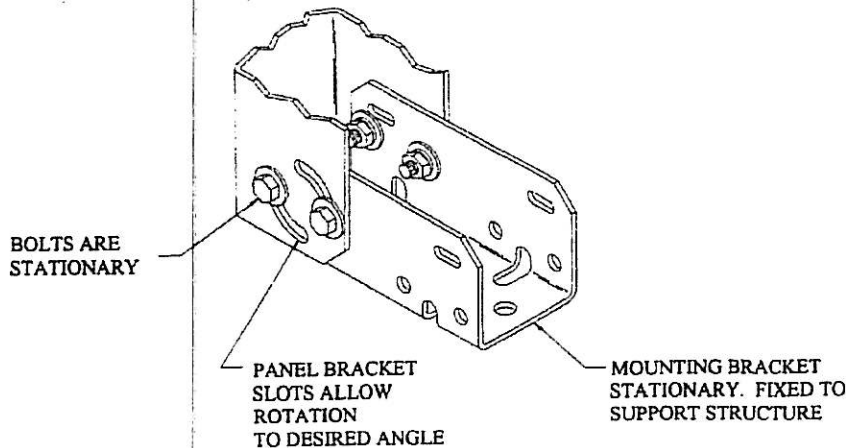


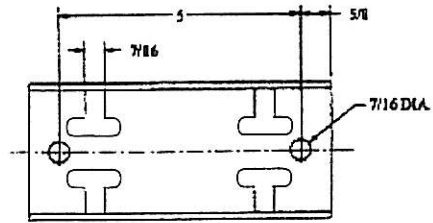
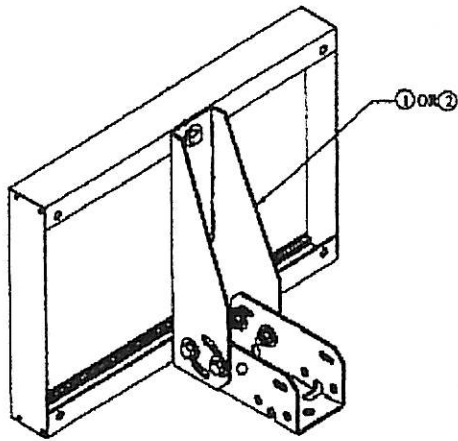
ISHPM-5/40 MOUNTING KIT INSTRUCTIONS



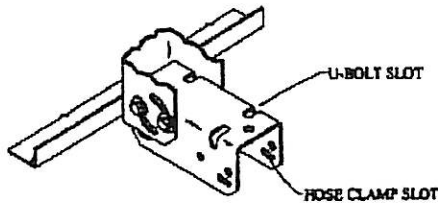
The mounting bracket accepts a horizontal (roof), vertical (wall) or pole mounting. The panel bracket bolts to the panel using 5/16" hardware for IS and BP modules and 1/4" hardware for all other modules. The panel should be placed tight against the tapered end of the panel bracket. Some modules will not span the entire bracket length. The panel bracket bolts to the mounting bracket using 5/16" hardware.

When mounting to flat surfaces bolts or lag screws should be used (not included). Pole mounting can be accomplished using U-bolts with retaining clamps or with hose clamps (not included).

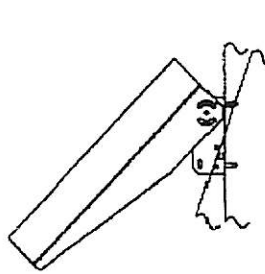




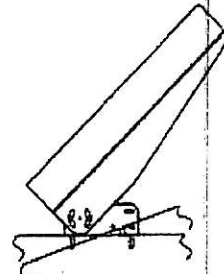
HOLE PATTERN IN BASE OF MOUNTING BRACKET



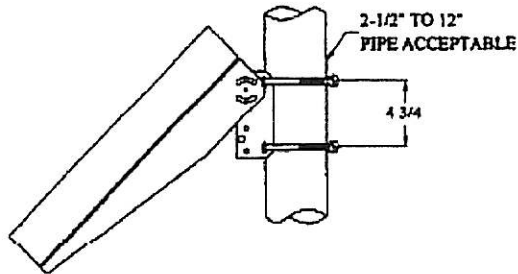
MOUNTING BRACKET MAY BE ASSEMBLED TO PANEL BRACKET TWO WAYS AS SHOWN (ROTATE END FOR END.)



MOUNTING ON VERTICAL OR STEEPLY SLOPING FLAT SURFACE USING (2) LAG SCREWS OR BOLTS

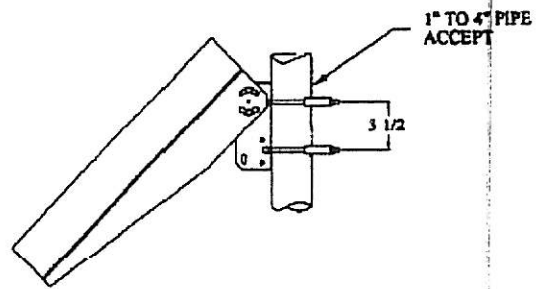


MOUNTING ON HORIZONTAL TO MODERATELY SLOPING FLAT SURFACE USING (2) LAG SCREWS OR BOLTS

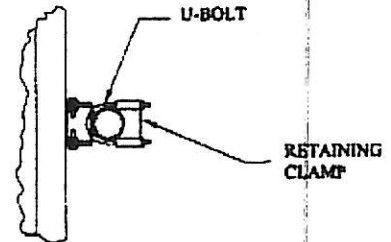


POLE MOUNTING USING HOSE CLAMPS. LONG LAG SCREWS THRU BASE MOUNTING HOLES MAY BE USED FOR WOODEN POLES.

HOSE CLAMP MOUNTING



POLE MOUNTING USING U-BOLT CLAMPS.



RETAINING CLAMP