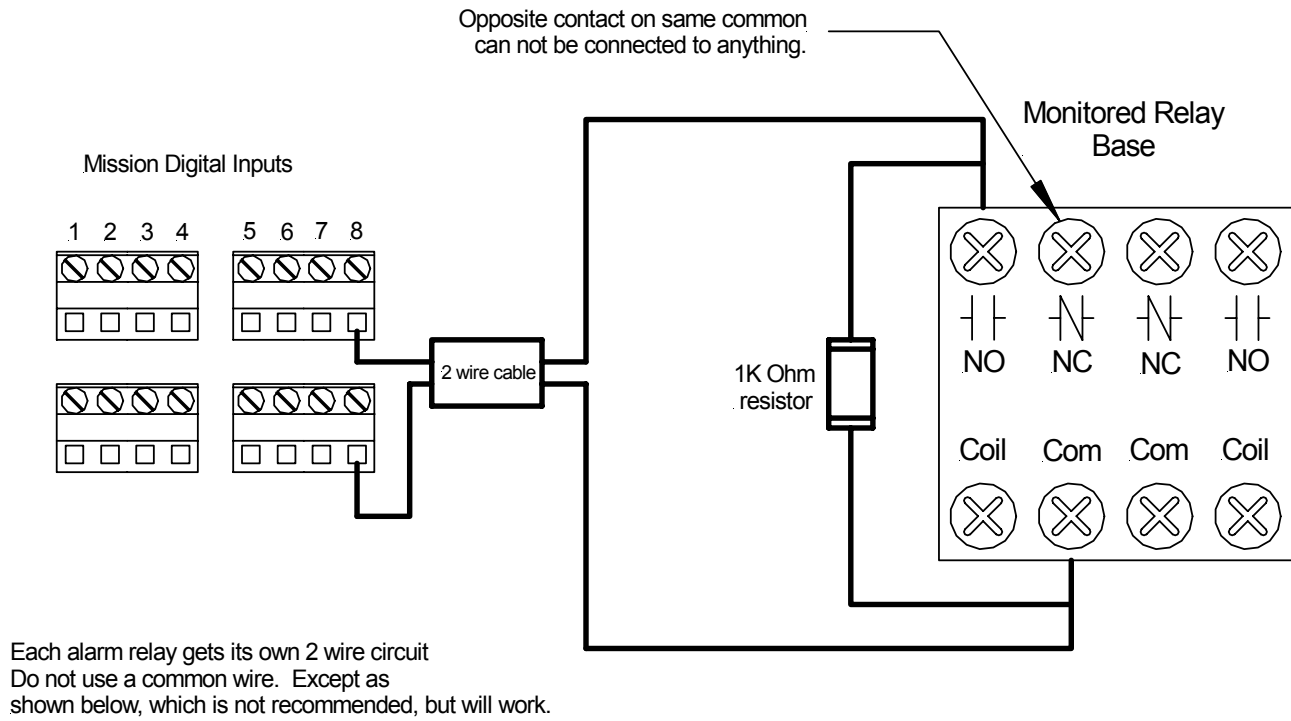


Typical wiring for monitoring a standard trouble relay



Typical wiring for a PLC controller

If wiring to a PLC with a common position for digital outputs instead of a dry contact.

