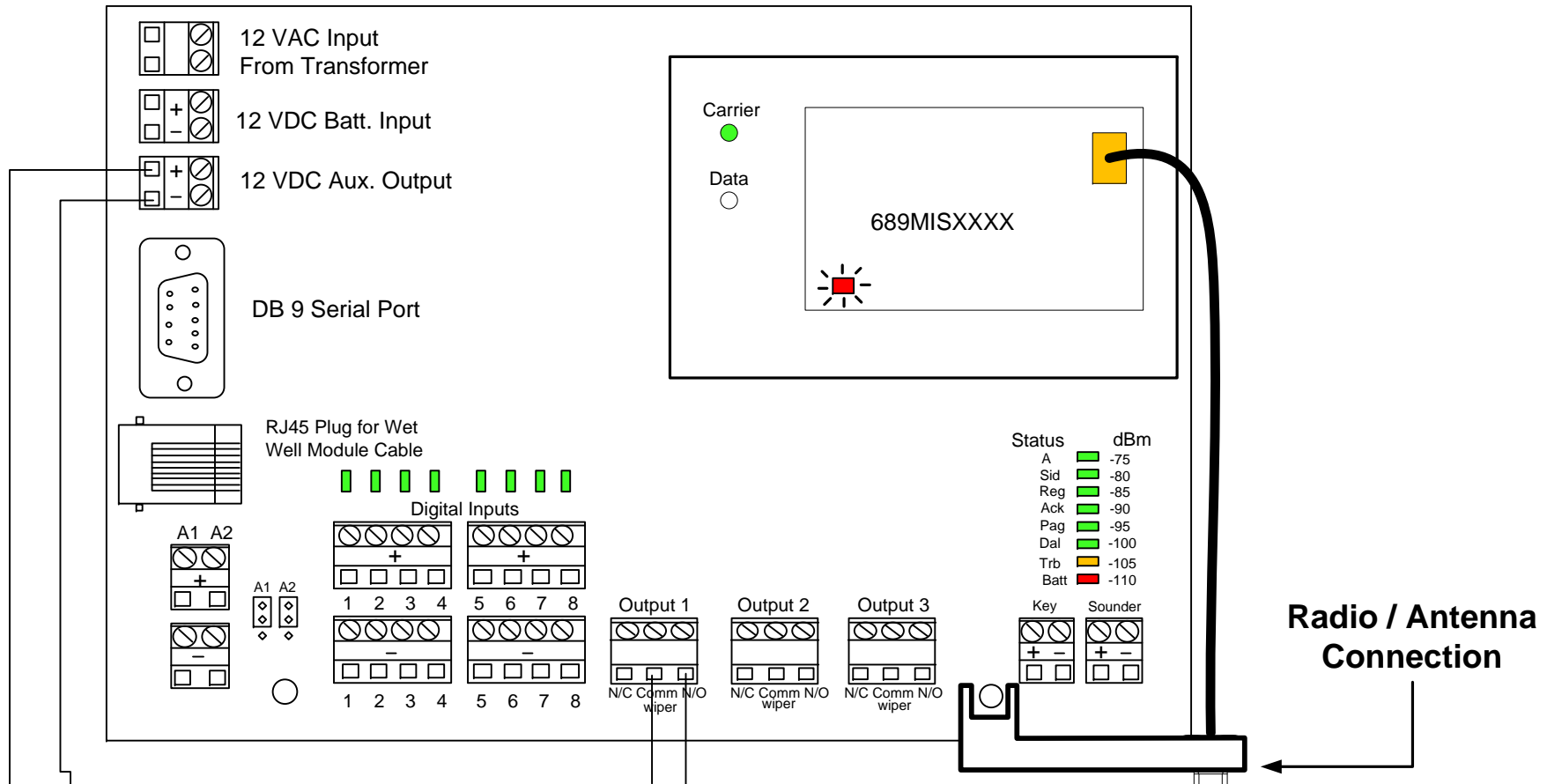


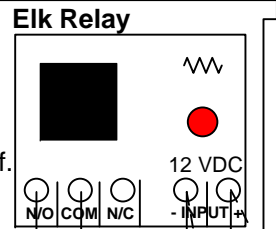
# Mission Main Board



Radio / Antenna Connection

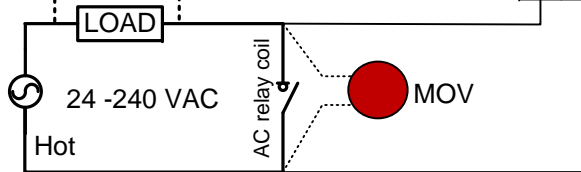
From outside antenna

For AC or DC feedback suppression use a MOV for a A/C relay at the panel across the coil that is hooked to the Mission Elk Relay or Diode for a D/C relay (polarity sensitive).

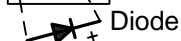


Either N/O or N/C  
N/O is suggested for remote turn on and turn off.

Load Power Supply



Attach the COM from the Elk relay to the coil of the relay you want to control or the hot side of the AC supply.



<i>Mission Communications</i> 877-993-1911		Drawn By: D.Button	Date: 7-23-09
Title <b>Elk Relay wiring for remote control</b>			
Revised by:	SIZE X	Date	DWG NO 2009-12-5
	SCALE 1:1		REV A
		SHEET	W