



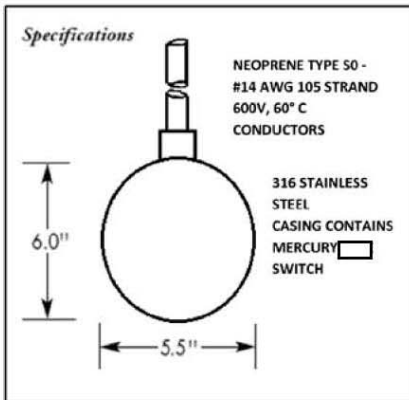
The FLOAT SSTM55 is the most reliable **mercury** float switch. It is Teflon®-coated, non-differential float of Type 316 SS, measures 5.5" (13.97 cm) in diameter and is appropriate for a variety of applications, including sewage wet wells, storm water basins, water reservoirs, sludge tanks, irrigation canals and process sumps. The float operates reliably in even the most difficult environments. The FLOAT SS can be used singly to sense an alarm level, but typically two or more switches are used in conjunction with our controllers to provide a float-based control system. The FLOAT SS can be used as the redundant control sensor in larger automation installations.

Typical Specifications

Float switch body shall be constructed of Teflon®- coated, 316 stainless steel housing measuring not less than 5.5 in (13.97 cm) in diameter. A long life, high reliability, single pole mercury switch rated for not less than 10A at 120VAC and 5A at 230VAC shall be mounted inside the float and connected to a 14-3 conductor, type SO jacketed, with each conductor having 105 strands of copper for extra flexibility. Each float has a green wire as an internal ground and THIS MUST RUN TO A SUITABLE EXTERNAL GROUND. The float SST comes with a mounting clamp, which attaches to a 1" mounting pipe, (supplied by others). #316 stainless steel pipe-stabilizing brackets for mounting the pipe are available.

FLOAT MERCURY SSTM55 FEATURES

- Mercury Switch
- Long life and reliable operation
- SO Type 14-3, 105 Strand
- #316 SS Float Housing, Grounded
- Non Stick surface
- Neoprene Cable Jacket
- NO/NC Switch Configurations
- Non-oxidizing contacts allow low DC voltage signals for use with intrinsic safety devices



CABLE
Neoprene type SO 14-3 conductors (105 Strand) rated 600 volts – Various lengths available – See table of models – Non-standard lengths also available on special order.

MATERIALS OF CONSTRUCTION
Float housing.....Teflon Coated 316 SS
Contact rating10A @ 120VAC, 5A @ 230VAC Mercury switch
Cable iacket.....Neoprene

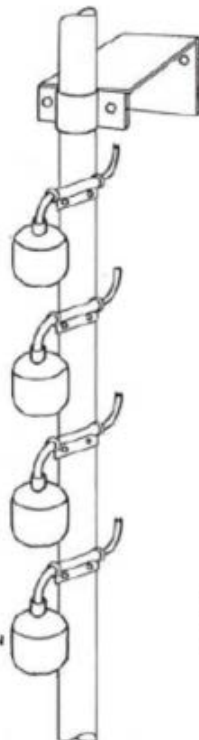
App4Water
2 Forest Drive
Catonsville, MD 21228
410.744.9040 phone
410.744.6062 fax
www.app4water.com

Description	Part Number
SSTM55 FLOAT Mercury Float Switch	
Teflon coated 316 SS Float Switch w/1 N.O. Contact & 20' Cable – Pipe Mounted	AP20NO-SSTM55
Teflon coated 316 SS Float Switch w/1 N.O. Contact & 30' Cable – Pipe Mounted	AP30NO-SSTM55
Teflon coated 316 SS Float Switch w/1 N.O. Contact & 60' Cable – Pipe Mounted	AP60NO-SSTM55
Teflon coated 316 SS Float Switch w/1 N.C. Contact & 20' Cable – Pipe Mounted	AP20NC-SSTM55
Teflon coated 316 SS Float Switch w/1 N.C. Contact & 30' Cable – Pipe Mounted	AP30NC-SSTM55
Teflon coated 316 SS Float Switch w/1 N.C. Contact & 60' Cable – Pipe Mounted	AP60NC-SSTM55
Teflon coated 316 SS Float Switch w/1 N.O. Contact & 20' Cable – Suspension Mounted	AS20NO-SSTM55
Teflon coated 316 SS Float Switch w/1 N.O. Contact & 30' Cable – Suspension Mounted	AS30NO-SSTM55
Teflon coated 316 SS Float Switch w/1 N.O. Contact & 60' Cable – Suspension Mounted	AS60NO-SSTM55
Teflon coated 316 SS Float Switch w/1 N.C. Contact & 20' Cable – Suspension Mounted	AS20NC-SSTM55
Teflon coated 316 SS Float Switch w/1 N.C. Contact & 30' Cable – Suspension Mounted	AS30NC-SSTM55
Teflon coated 316 SS Float Switch w/1 N.C. Contact & 60' Cable – Suspension Mounted	AS60NC-SSTM55
Mounting Hardware & Accessories	
15lb Anchor, 30' SS Cable, Wall Mount Bracket	CBM30
15lb Anchor, 60' SS Cable, Wall Mount Bracket	CBM60
Wall mount bracket for Pipe mounting	APMM
Single Float Wall Bracket with and without external weight	AWMS
Multiple Float Wall Bracket	AWMM

Typical Mounting

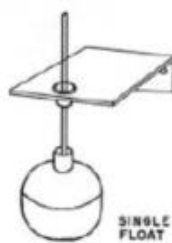
Pipe

Multiple Floats

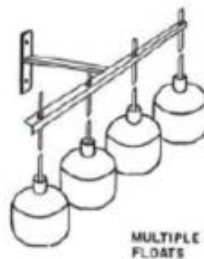


Suspension

Single Float



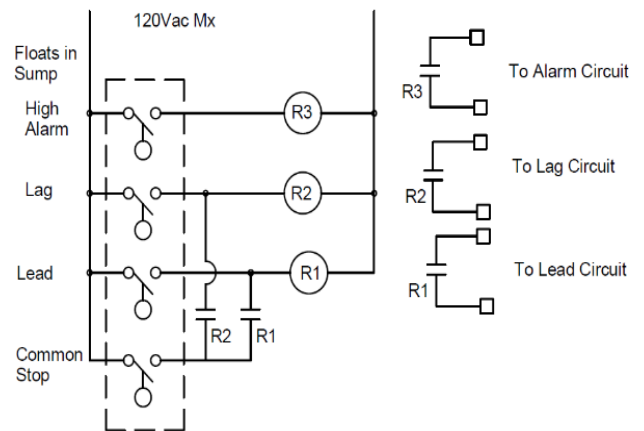
SINGLE FLOAT



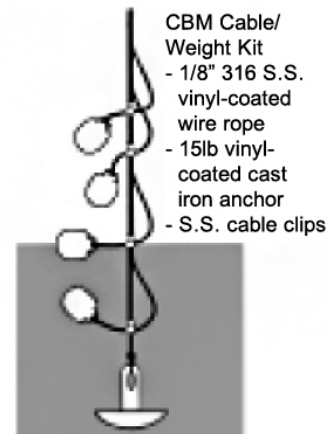
MULTIPLE FLOATS

SEE ACCESSORY SHEET FOR HARDWARE

Nominal Duplex Circuit (Reference Only!)



Cable/Weight Suspended



High Alarm

Start Lag

Start Lead

Common Stop

HIGH ALARM

START LAG

START LEAD

COMMON STOP