

JX Series Junction Box

JX Series Box

GENERAL DESCRIPTION:

Whel-Tech Inc. can now provide a corrosion resistant NEMA 4X enclosure for your junction box needs. The box is constructed of a weatherable foam Noryl, with minimum wall thicknesses of one quarter inch. The box is suitable for outdoor use, as well as corrosive indoor applications. Features of the JX Series include a hingeable cover, molded mounting feet, chassis plate and mounting bosses, and four threaded brass cover inserts. A 20 amp, six space terminal block can be provided for making necessary wiring connections. Advantages the JX Series offers over conventional metal boxes includes corrosion resistance, good thermal and electrical insulating properties, low cost, and easy field modification.

APPLICATIONS:

- In wet, corrosive areas, such as sewage sumps.
- Hose down areas.
- Outdoors.
- As an instrument casing
- Pushbutton station housing

SPECIFICATIONS:

Enclosure Rigid, flame retardant, ultraviolet resistant, foam Noryl.

Gasket ... Cellulose-NBR blend. UL listed.

Screws ... 304 stainless steel, 8-32 thread.

Inserts ... Brass, 8-32 thread.

Chassis Plate ... 14 ga. steel. 4" x 3 1/4".
(Optional)

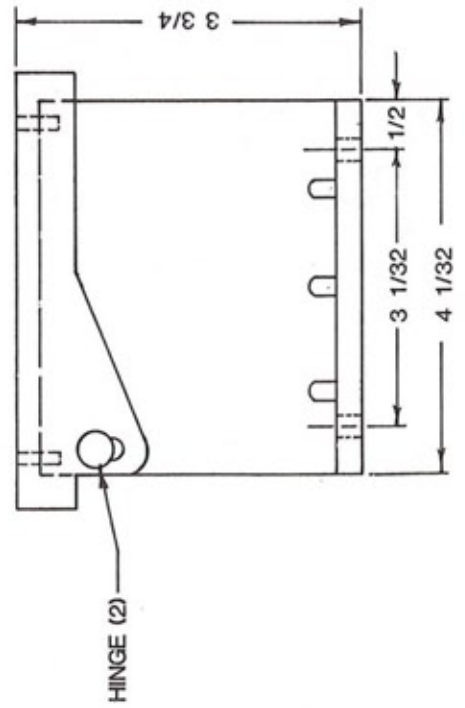
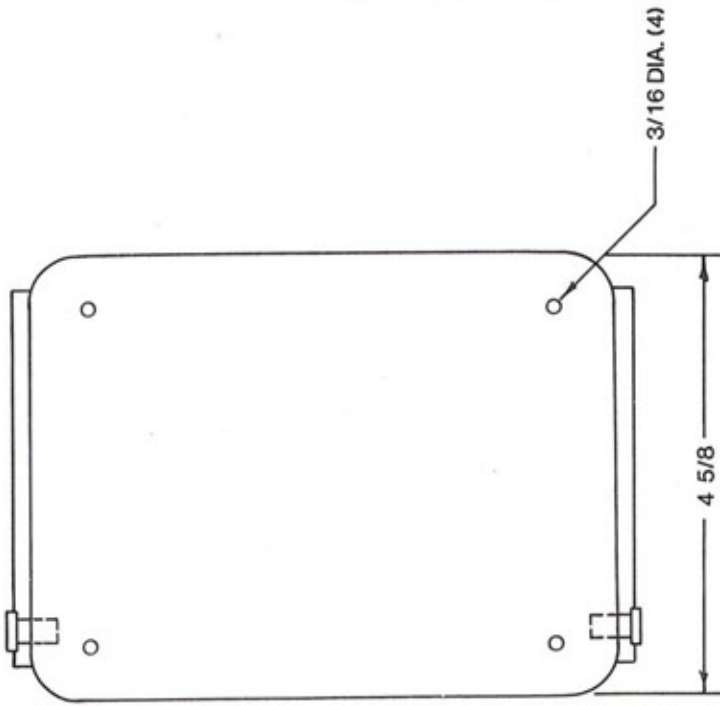
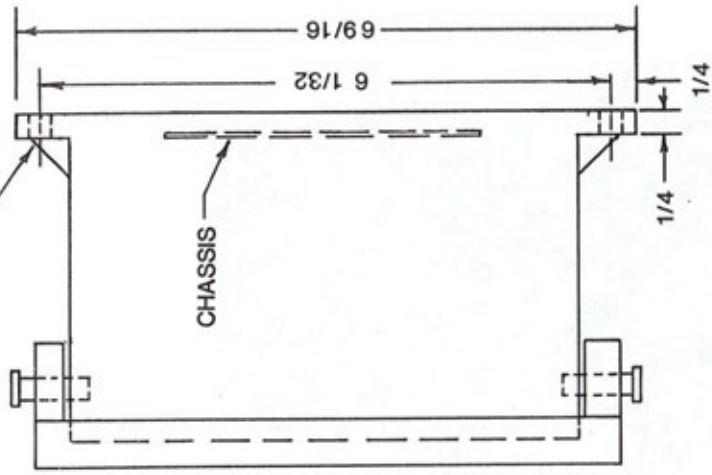
ORDERING INFORMATION:

JX Series junction boxes can be purchased with or without knockout holes and flexible cord connectors. Threaded 1/2" NPT holes with nylon connectors are provided as standard; die-cast zinc connectors are available upon request.

Part # Description

| | |
|------|-------------------------------------|
| JX | Bare box, no knockouts, no chassis |
| JX-1 | Box, 1 connector, (Range .27- .48) |
| JX-2 | Box, 2 connectors, (Range .27- .48) |
| JX-3 | Box, 3 connectors, (Range .27- .48) |
| JX-4 | Box, 4 connectors, (Range .27- .48) |
| | (Other Ranges Available) |

1/4" DIA. MOUNTING HOLES (4)



App4Water
2 Forest Drive
Catonsville, MD 21228
410.744.9040 phone
410.744.6062 fax
www.app4water.com