



App4water.com

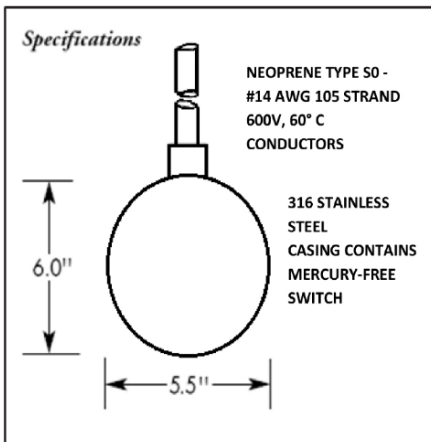
The SSTNM55 App4water FLOAT is the most reliable **non-mercury** float switch. It is Teflon®-coated, non-differential float of Type 316 SS, measures 5.5" (13.97 cm) in diameter and is appropriate for a variety of applications, including sewage wet wells, storm water basins, water reservoirs, sludge tanks, irrigation canals and process sumps. The float operates reliably in even the most difficult environments. The FLOAT can be used singly to sense an alarm level, but typically two or more switches are used in conjunction with our controllers to provide a float-based control system. The FLOAT can be used as the redundant control sensor in larger automation installations.

Typical Specifications

Float switch body shall be constructed of Teflon®-coated, 316 stainless steel housing measuring not less than 5 1/2" in (13.97 cm) in diameter. A long life, high reliability, potted SPST magnetic reed switch rated for 1.0A at 120VAC shall be mounted inside the float and connected to a multi-stranded, 2 conductors plus ground, 16 gauge, CPE jacketed cable. The cord shall have fine strand conductors (not more than 34 gauge) made especially for heavy flexing service. The cable connection point shall be potted in epoxy providing a strong bond to the float and reed switch forming a water/moisture tight connection. A flexible Neoprene sleeve, not less than 1/8" (0.457 cm) thick, shall be provided over the CPE jacketed cable extending not less than 5" (12.7 cm) from the top of the mounting bracket extending down through the cable mounting bracket hinge point to the top of the float switch body, providing cable stress point relief and extended operational life.

FLOAT NON-MERCURY SSTNM55 FEATURES

- Mercury Free- Magnetic Reed Switch
- Long life and reliable operation
- S00W 16-3, 65 X 34 CPE
- #316 SS Float Housing, Grounded
- Non Stick surface
- Neoprene Cable Jacket
- NO/NC Reed Switch Configurations
- Non-oxidizing contacts allow low DC voltage Signals for use with intrinsic safety devices
- Operating Temperature -35 to 90 deg C



CABLE

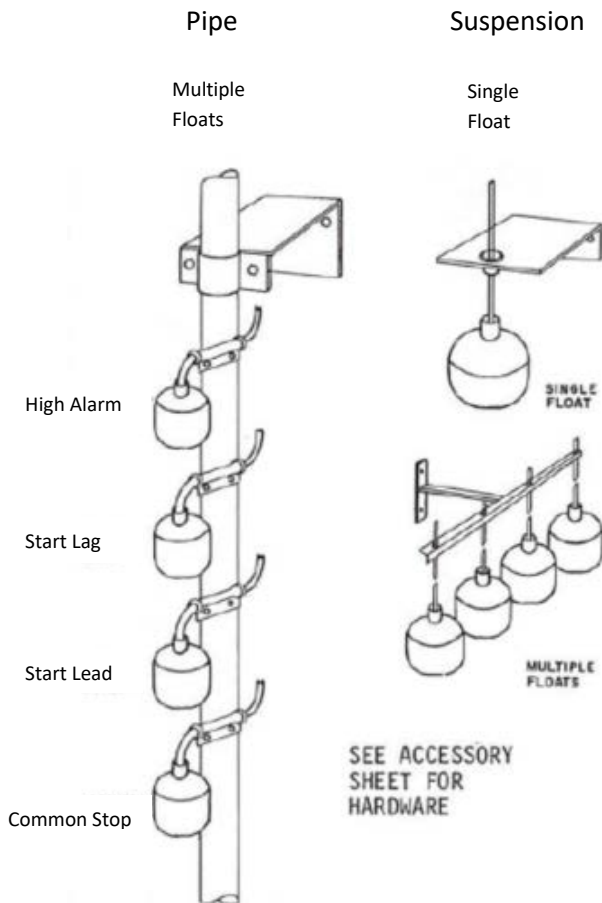
Neoprene type S00W 16-3 conductors (65 x 34 Copper) rated 600 volts – Various lengths available – See table of models – Non-standard lengths also available on special order.

MATERIALS OF CONSTRUCTION

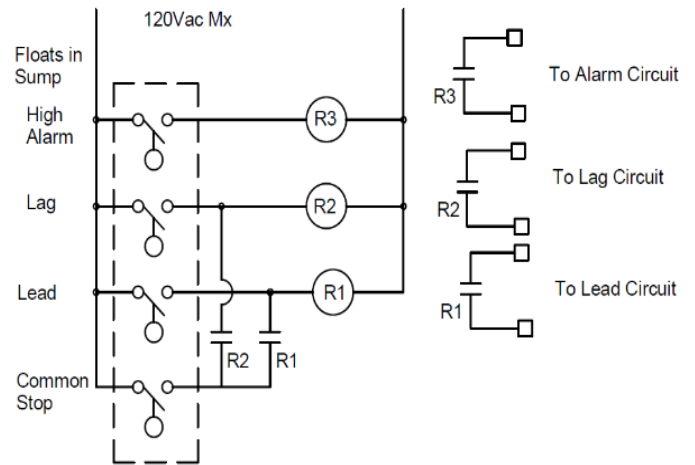
Float housing.....Teflon Coated 316 SS
 Contact rating1.0A @ 120VAC, Reed Switch
 Cable jacket.....Neoprene

Description	Part Number
SSTNM55 FLOAT SS Non Mercury Float Switch	
Teflon coated 316 SS Float Switch w/1 N.O. Contact & 20' Cable – Pipe Mounted	AP20NO-SSTNM55
Teflon coated 316 SS Float Switch w/1 N.O. Contact & 30' Cable – Pipe Mounted	AP30NO-SSTNM55
Teflon coated 316 SS Float Switch w/1 N.O. Contact & 60' Cable – Pipe Mounted	AP60NO-SSTNM55
Teflon coated 316 SS Float Switch w/1 N.C. Contact & 20' Cable – Pipe Mounted	AP20NC-SSTNM55
Teflon coated 316 SS Float Switch w/1 N.C. Contact & 30' Cable – Pipe Mounted	AP30NC-SSTNM55
Teflon coated 316 SS Float Switch w/1 N.C. Contact & 60' Cable – Pipe Mounted	AP60NC-SSTNM55
Teflon coated 316 SS Float Switch w/1 N.O. Contact & 20' Cable – Suspension Mounted	AS20NO-SSTNM55
Teflon coated 316 SS Float Switch w/1 N.O. Contact & 30' Cable – Suspension Mounted	AS30NO-SSTNM55
Teflon coated 316 SS Float Switch w/1 N.O. Contact & 60' Cable – Suspension Mounted	AS60NO-SSTNM55
Teflon coated 316 SS Float Switch w/1 N.C. Contact & 20' Cable – Suspension Mounted	AS20NC-SSTNM55
Teflon coated 316 SS Float Switch w/1 N.C. Contact & 30' Cable – Suspension Mounted	AS30NC-SSTNM55
Teflon coated 316 SS Float Switch w/1 N.C. Contact & 60' Cable – Suspension Mounted	AS60NC-SSTNM55
Mounting Hardware & Accessories	
15lb 30' SS Cable, Wall Mount Bracket	CBM30
15lb, 60' SS Cable, Wall Mount Bracket	CBM60
Wall mount bracket for Pipe mounting	APMM
Single Float Wall Bracket with and without external weight	AWMS
Multiple Float Wall Bracket	AWMM

Typical Mounting



Nominal Duplex Circuit (Reference Only!)



Cable/Weight Suspended

