



App4Water

The ROTO-FLOAT is a direct acting float switch.

Each ROTO-FLOAT contains a single pole mercury switch which actuates when the longitudinal axis of the float is horizontal, and deactuates when the liquid level falls 1" below the actuation elevation.

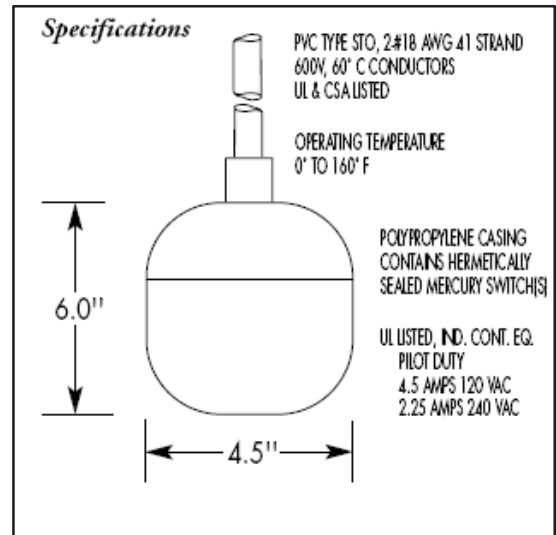
The float is a chemical resistant polypropylene casing with a firmly bonded electrical cable protruding. One end of the cable is permanently connected to the enclosed mercury switch and the entire assembly is encapsulated to form a completely water tight and impact resistant unit.

ROTO-FLOATS can be mounted on a support pipe (type P) or suspended from above (type S). Advantages of the ROTO-Float are low cost, simplicity, and reliability.



ROTO-FLOAT Features

- Fixed or Suspended Installation
- PVC Type STO #18 conductors (41 strand)
- Polypropylene Float Housing
- Polypropylene Cable Clamp
- PVC Cable Jacket
- NO and/ or NC Switch Configuration
- Various Cable Lengths



CABLE

P.V.C. type STO #18 conductors (41 Strand) rated 600 volts - Various lengths available
- See table of models - Non-standard lengths also available on special order.

MATERIALS OF CONSTRUCTION

Float housing.....Polypropylene
Cable clamp.....Polypropylene
Cable jacket.....P.V.C

Description	Part Number
ROTO-FLOATS	
PVC Float Switch w/ 1 N.O and/or 1 N.C. Contact & 20' Cable – Pipe Mounted	AP20NONC / AP20NO or NC
PVC Float Switch w/ 1 N.O and/or 1 N.C. Contact & 30' Cable – Pipe Mounted	AP30NONC / AP30NO or NC
PVC Float Switch w/ 1 N.O and/or 1 N.C. Contact & 40' Cable – Pipe Mounted	AP40NONC / AP40NO or NC
PVC Float Switch w/ 1 N.O and/or 1 N.C. Contact & 20' Cable – Suspension Mounted	AS20NONC / AS20NO or NC
PVC Float Switch w/ 1 N.O and/or 1 N.C. Contact & 30' Cable – Suspension Mounted	AS30NONC / AS30NO or NC
PVC Float Switch w/ 1 N.O and/or 1 N.C. Contact & 40' Cable – Suspension Mounted	AS40NONC / AS40NO or NC
Mounting Hardware & Accessories	
1" Pipe Stabilizing Bracket (Pipe Mounted)	W-STB
Wall Mount Bracket – Single Suspended Float or Pipe Mounted Floats	W-MS(Sus.) or W-MP(Pipe)
Wall Mount Bracket – Four Suspended Floats	S-4
Float Cable/Anchor kit 30' (with 15lb anchor, 30' SS cable, wall bracket, 5 cable clamp)	
Float Cable/Anchor kit 60' (with 15lb anchor, 60' SS cable, wall bracket, 5 cable clamp)	
Model IS6 Six Circuit Intrinsically Safe (Switch Circuit) Barrier: 12-24V DC powered	

Typical Mounting

